

SK 790

- Compact design
- Height adjustable
- Marker unit changeable
- Easy integration into existing systems

Mechanical Data

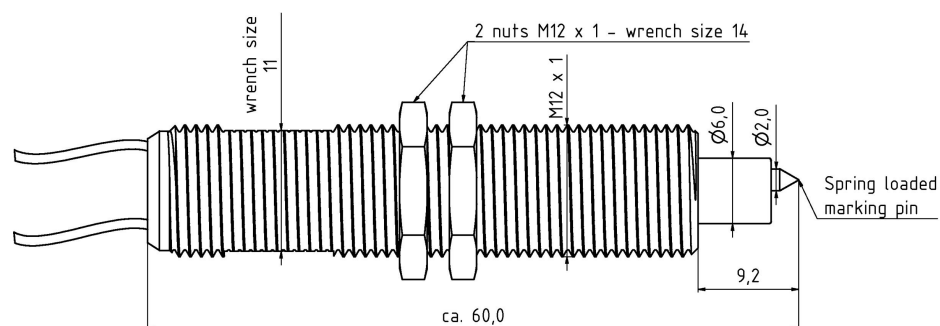
Full Travel	2.00 mm
Working Travel	1.50 mm
Pre-loaded Spring Force	0.55 N
Spring Force at Working Travel	3.10 N
Marked Area	2.0 mm
Recommended Marking Impulse	ca. 1 s

Electrical Data

Rated Voltage	12 V
Leistung	0.75 W
No-Load Current	3.7 mA
Starting Current	106 mA
Max. Permanent Load Current	81 mA
Terminal Resistance	114 Ohm
Pin No-Load Speed	180 min ⁻¹
Max. Pin Torque	54 mNm

Materials

Needle Material	Solid carbide
External Thread	M12x1 with wrench size SW11



How to Order

SK 790

1
1. Series