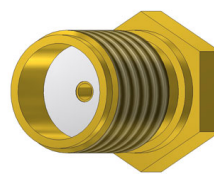


Series 7860 • 7860/G

SMA-f

- For high frequency measurements
- Compact design
- Also screwable type
- Inner conductor and outer tip are independently of each other and interchangeable



Mechanical Data - Inner Conductor

Full Travel	3.70 mm
Working Travel	2.00 mm
Pre-loaded Spring Force	0.65/ 0.95 N
Spring Force at Working Travel	1.30/ 2.00 N

Mechanical Data - Outer Conductor

Full Travel	5.00 mm
Working Travel	4.00 mm
Pre-Loaded Spring Force	1.50/3.00/4.00 N
Spring Force at Working Travel	4.00/6.00/8.00 N

Total Spring Force

Total Spring Force by Working Travel	5.30/ 6.00/ 7.30/ 8.00/ 9.30/ 10.00 N
--------------------------------------	---------------------------------------

Electrical Data - Inner Conductor

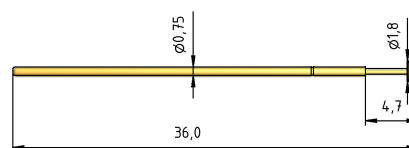
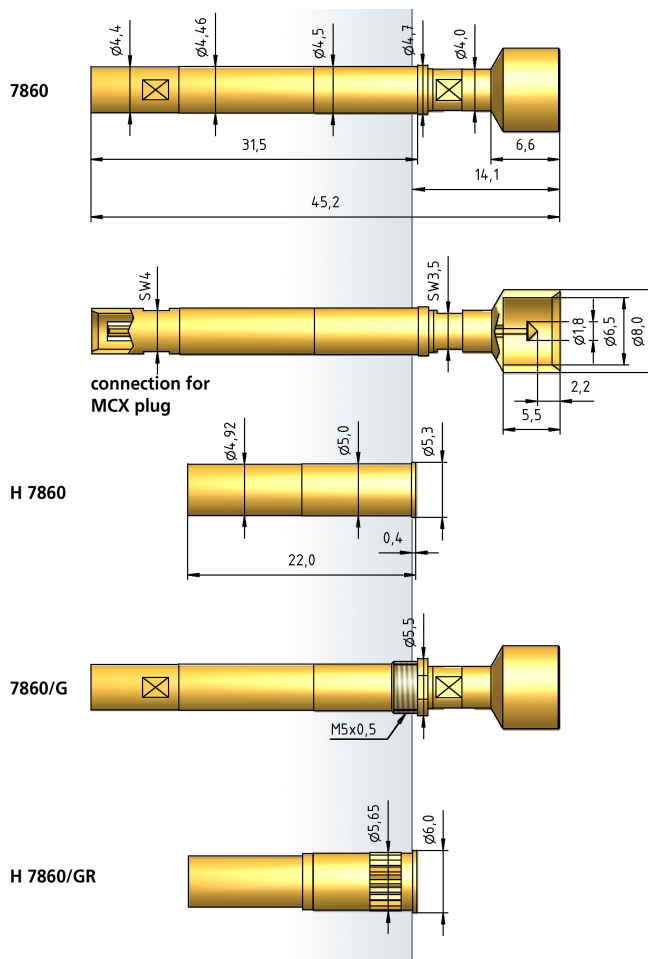
Impedance	50 Ohm
Frequency Range	up to 6 GHz

Materials

Barrel	Brass, gold plated
Spring	Steel, gold plated
Plunger	CuBe, gold plated

Cable Data

Type	Multiflex 86
Length	750 mm
Connection Test Probe	MCX
Connection Testing Technology	SMA



How to Order - Inner Conductor

7860 - E - 1.3 N - Au - 1.8 C

1 2 3 4 5 6

1. Series 2. Inner Conductor Tip 3. Spring Force
4. Tip Plating 5. Tip Diameter 6. Tip Material (only for CuBe)

How to Order - Complete Test Probe

7860/ G - Z6 - E - 5.3 N - Au - 8.0/ 1.8 C

1 2 3 4 5 6 7 8 9

1. Series 2. Variant Threaded Design 3. Outer Conductor Tip
4. Inner Conductor Tip 5. Total Spring Force
6. Tip Plating 7. Outer Tip Diameter 8. Inner Tip Diameter
9. Tip Material (only for CuBe)