

# Series 5310/G

- Test probe for cable harness testing
- Screwable - threaded design
- Screwing tools available

### Mechanical Data

Center	2.54 mm/100 mil
Full Travel	4.50 mm
Working Travel	3.50 mm
Pre-loaded Spring Force	0.30 N
Spring Force at Working Travel	1.50 N

### Electrical Data

Max. Current Rating	5.0...8.0 A
Typical Continuity Resistance	<= 20 mOhm

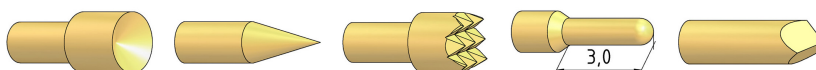
### Materials

Barrel	Brass, gold plated
Spring	Spring Steel, gold plated
Plunger	Steel, CuBe
Receptacle	Brass, gold plated

### Recommended Diameter of Drill

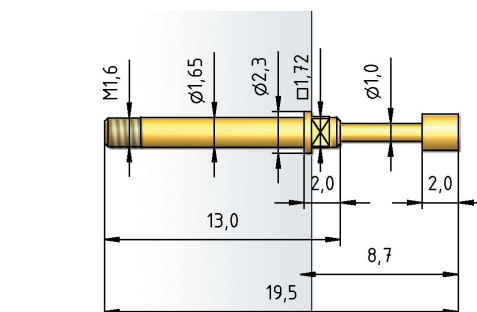
HP 2361.1 (Trolitax)	2.00 mm
HGW 2372	2.03 mm

### Tip style - Diameter - Plating

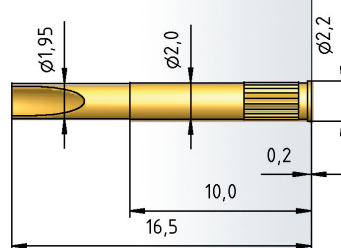


A	B	C	D1	H
2.00C Au	1.00 Au	2.00C Au	0.80 Au	1.00 Au

5310/G



H 5310/GR-L



### How to Order

<b>5310/</b>	<b>G</b>	<b>-</b>	<b>A</b>	<b>-</b>	<b>1.5 N</b>	<b>-</b>	<b>Au</b>	<b>-</b>	<b>2.0 C</b>
<b>1</b>	<b>2</b>	<b>3</b>	<b>4</b>	<b>5</b>	<b>6</b>	<b>7</b>			

1. Series 2. Threaded Design 3. Tip Style  
4. Spring Force 5. Tip Plating 6. Tip Diameter  
7. Tip Material (only for CuBe)