

# Series 5207

- Four-pole measurement
- Compact design
- Inner and outer conductor are spring-loaded independently of each other

### Mechanical Data - Inner Contact

Center	6.50 mm/256 mil
Full Travel	3.50 mm
Working Travel	3.00 mm
Pre-loaded Spring Force	0.80 N
Spring Force at Working Travel	1.50 N

### Mechanical Data - Ring Contact

Center	6.50 mm/256 mil
Full Travel	2.50 mm
Working Travel	2.00 mm
Pre-Loaded Spring Force	3.00 N
Spring Force at Working Travel	5.00 N

### Electrical Data - Inner Contact

Max. Current Rating	1.0 A
Typical Continuity Resistance	<= 10 mOhm
Typical Insulating Voltage	800 V

### Electrical Data - Ring Contact

Max. Current Rating	6.0 A
Typical Continuity Resistance	<= 10 mOhm
Typical Insulating Voltage	800 V

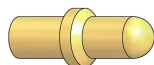
### Materials

Barrel	CuBe, gold plated
Spring	Spring Steel, silver plated
Plunger-Inner Contact	Steel, gold plated
Plunger-Ring	CuBe, gold plated
Receptacle	Brass, gold plated
Connection Element	Brass, verzinkt

### Recommended Diameter of Drill

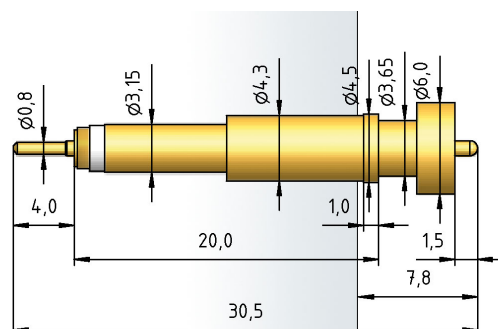
HP 2361.1 (Trolitax)	4.69 mm
HGW 2372	4.70 mm

### Tip style - Diameter - Plating

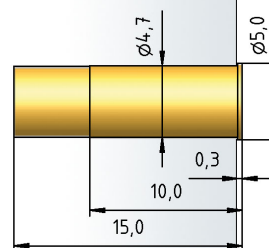


D	T
1.00 x 1.50C Au	1.00 x 0.50C Au

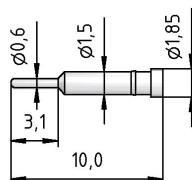
5207



H 5207



A 5207



### How to Order

5207 - D - 6.5 N - Au 1.0x - 1.5/ - 6.0 - C  
 1 2 3 4 5 6 7 8

1. Series
2. Tip Style
3. Total Spring Force (Ring / Inner Contact)
4. Tip Plating
5. Inner Tip Diameter
6. Tip Height
7. Ring Contact Diameter
8. Ring Contact Material (only for CuBe)