

Series 5082/L

- Sturdy design
- For use in tough conditions
- Spring forces up to 8.0 N

Mechanical Data

Center	6.50 mm/256 mil
Full Travel	10.00 mm
Working Travel	8.00 mm
Pre-loaded Spring Force	0.40/ 1.00/ 3.00 N
Spring Force at Working Travel	1.50/ 3.00/ 8.00 N

Electrical Data

Max. Current Rating	5.0...8.0 A
Typical Continuity Resistance	<= 100 mOhm

Materials

Barrel	Brass, gold plated
Spring	Stainless Steel
Plunger	Steel

Recommended Diameter of Drill

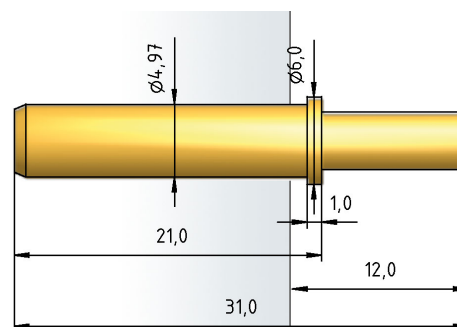
HP 2361.1 (Trolitax)	5.59...5.60 mm
----------------------	----------------

Tip style - Diameter - Plating

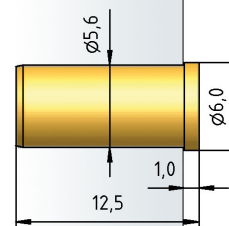


D
4.00C Au

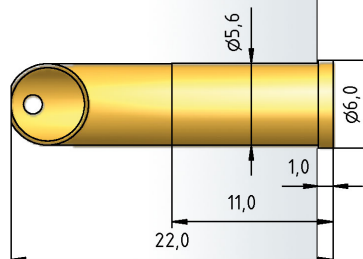
5082/L



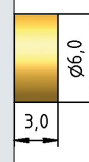
H 5082



H 5082/S.01-22



ZRH 5082/3



How to Order

5082/L - D - 8.0 N - Au - 4.0

1 2 3 4 5

1. Series 2. Tip Style 3. Spring Force
4. Tip Plating 5. Tip Diameter