

Series 4004

- Contacting of individual test points
- Contacting without adapter possible
- For use in function test

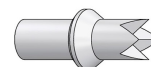
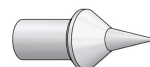
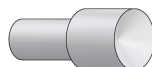
Mechanical Data	
Center	4.00 mm/160 mil
Full Travel	10.00 mm
Working Travel	6.00 mm
Spring Force at Working Travel	1.50 N
Operating Pressure	6 bar
Operating Medium	Druckluft (gefiltrert, ölfrei)

Electrical Data	
Max. Current Rating	3.0 A
Typical Continuity Resistance	<= 30 mOhm

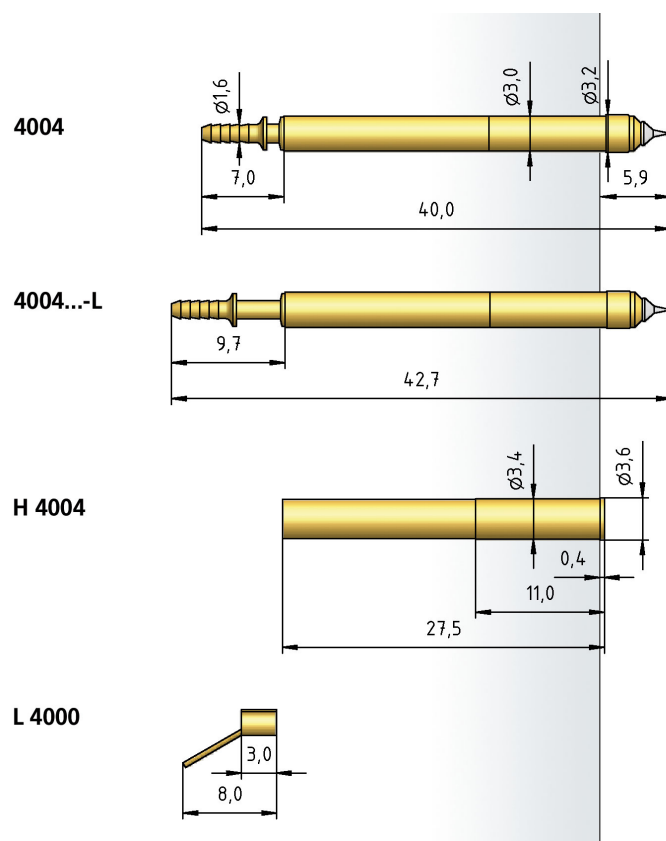
Materials	
Barrel	Brass, gold plated
Spring	Spring Steel, gold plated
Plunger	Steel
Receptacle	Brass, gold plated

Recommended Diameter of Drill	
HP 2361.1 (Trolitax)	3.40 mm
HGW 2372	3.41 mm

Tip style - Diameter - Plating



A	BST1	G
3.00 Rh	2.00 Rh	1.30 Rh



How to Order

4004 - BST1 - 1.5 N - Rh - 2.0 - L
 1 2 3 4 5 6

1. Series 2. Tip Style 3. Spring Force
 4. Tip Plating 5. Tip Diameter 6. For Connection of L 4000