

Series 3035

- Switching test probe for the cable harness test
- Plug-in system
- Receptacle diameter only 1.41 mm (press ring)
- Soldering temperature max 300°C
- Switching test probe with standard travel for small center

Mechanical Data

Center	1.91 mm/75 mil
Full Travel	5.00 mm
Working Travel	4.00 mm
Switching Travel	2.60 mm
Pre-loaded Spring Force	0.30 N
Spring Force at Working Travel	2.00 N
Spring Force at Switching Travel	1.10 N

Electrical Data

Max. Current Rating	1.0 A
Typical Continuity Resistance	<= 20 mOhm
Typical Insulating Voltage	1000 V

Materials

Barrel	Bronze, gold plated
Spring	Spring Steel, gold plated
Plunger	CuBe, gold plated
Receptacle	Bronze, gold plated

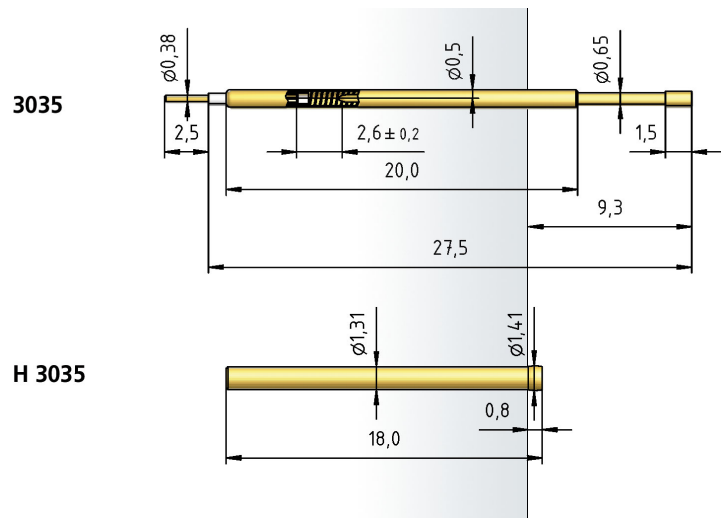
Recommended Diameter of Drill

HP 2361.1 (Trolitax)	1.30 mm
with pressed-in Ring	1.36 mm
HGW 2372	1.32 mm
with pressed-in Ring	1.37 mm

Tip style - Diameter - Plating



C	F
0.80C Au	0.80C Au



How to Order

3035 - F - 2.0 N - Au - 0.8 C

1 2 3 4 5 6

1. Series 2. Tip Style 3. Spring Force
4. Tip Plating 5. Tip Diameter 6. Tip Material (only for CuBe)