

Series 3024/2G

- Switching test probe for the cable harness test
- Threaded type
- Easy-replacement system
- Replacement without soldering
- Short design (24.5 mm)
- Soldering temperature max 300°C
- FS1 insulated metal cap

Tip style - Diameter - Plating



C	D	F	F1	FS1
1.80C Au	1.00C Au	1.00C Au	1.80 HTK	2.00C Ni/S

Mechanical Data

Center	2.54 mm/100 mil
Full Travel	5.00 mm
Working Travel	4.00 mm
Switching Travel	2.60 mm
Pre-loaded Spring Force	0.30/ 0.50/ 0.50 N
Spring Force at Working Travel	1.35/ 2.00/ 2.50 N
Spring Force at Switching Travel	1.00/ 1.50/ 1.80 N

Electrical Data

Receptacle-Plunger

Max. Current Rating	3.0 A
Typical Continuity Resistance	<= 20 mOhm
Typical Insulating Voltage	1000 V

Pin-Plunger

Max. Current Rating	1.0 A
Typical Continuity Resistance	<= 50 mOhm

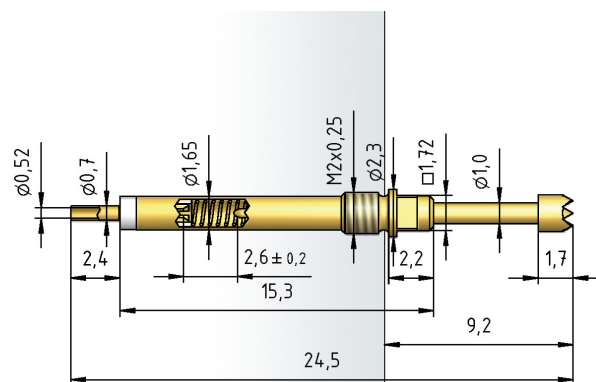
Materials

Barrel	Brass, gold plated
Spring	Spring Steel, gold plated
Plunger	CuBe, gold plated with Insulator
Receptacle	Brass, gold plated

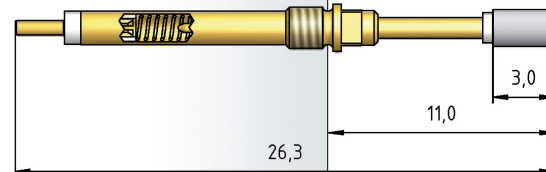
Recommended Diameter of Drill

HP 2361.1 (Trolitax)	2.15 mm
HGW 2372	2.16 mm

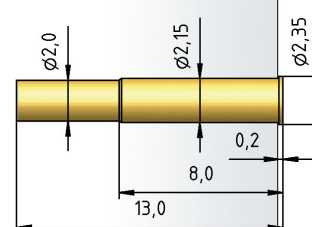
3024/2G



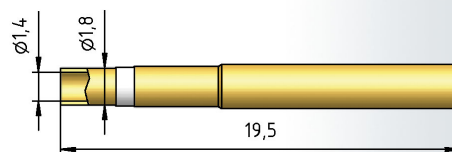
3024/2G-FS1



H 3024/G



H 3024/GW



How to Order

3024/ 2 G - C - 2.0 N - Au - 1.8 C

1 2 3 4 5 6 7 8

1. Series
2. Collar Height
3. Threaded Design
4. Tip Style
5. Spring Force
6. Tip Plating
7. Tip Diameter
8. Tip Material (only for CuBe)