

# Series 3014/2G

- Switching test probe for the cable harness test
- Threaded type
- Easy-replacement system
- Replacement without soldering
- Short design (24.5 mm)
- Soldering temperature max 300°C

## Mechanical Data

Center	4.00 mm/160 mil
Full Travel	5.00 mm
Working Travel	4.00 mm
Switching Travel	1.70 mm
Pre-loaded Spring Force	0.50 N
Spring Force at Working Travel	1.50 N
Spring Force at Switching Travel	0.90 N

## Electrical Data

<b>Receptacle-Plunger</b>	
Max. Current Rating	3.0 A
Typical Continuity Resistance	<= 20 mOhm
<b>Pin-Plunger</b>	
Max. Current Rating	1.0 A
Typical Continuity Resistance	<= 40 mOhm
Typical Insulating Voltage	1000 V

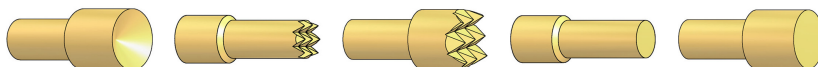
## Materials

Barrel	Brass, gold plated
Spring	Spring Steel, gold plated
Plunger	CuBe
Receptacle	Brass, gold plated

## Recommended Diameter of Drill

HP 2361.1 (Trolitax)	3.50 mm
HGW 2372	3.51 mm

## Tip style - Diameter - Plating

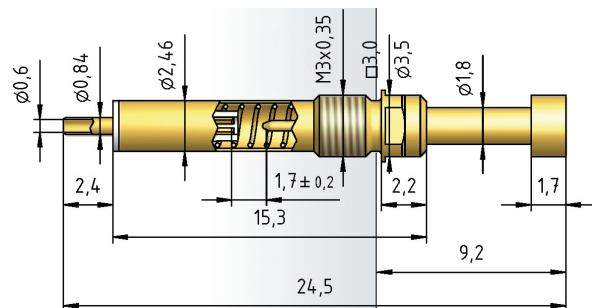


A	C	C	F	F
3.00C Au	1.00C Au	2.00C Au 3.00C Au	1.00C Au	2.00C Au 3.00C Au

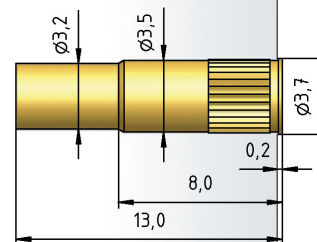


F1
2.00 HTK
3.00 HTK

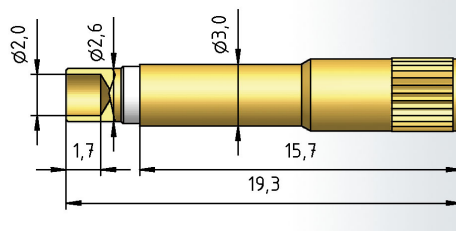
3014/2G



H 3014/GR



H 3014/GWR



## How to Order

3014/ 2 G - A - 1.5 N - Au - 3.0 C

1 2 3 4 5 6 7 8

1. Series
2. Collar Height
3. Threaded Design
4. Tip Style
5. Spring Force
6. Tip Plating
7. Tip Diameter
8. Tip Material (only for CuBe)