

1.7 mm

## Series 3011/2FGS

- Switching test probe for the cable harness test
- Plug-in system
- Switching test probe "Opener" (NC) type
- Soldering temperature max 300°C

### Mechanical Data

|                                  |   |
|----------------------------------|---|
| Center                           | 3.50 mm/138 mil   |
| Full Travel                      | 5.00 mm   |
| Working Travel                   | 4.00 mm   |
| Switching Travel                 | 1.70 mm   |
| Pre-loaded Spring Force          | 0.12/ 0.25/ 0.30/ 0.40/<br>0.60/ 1.80/ 1.40/ 1.70/<br>2.00/ 2.70/ 2.00/ 5.00/<br>4.00 N |
| Spring Force at Working Travel   | 0.75/ 1.25/ 1.80/ 2.30/<br>3.50/ 7.00/ 8.50/ 9.00/<br>9.50/ 10.00/ 12.50/ 13.00<br>N    |
| Spring Force at Switching Travel | 0.20/ 0.45/ 0.75/ 1.00/<br>1.60/ 3.60/ 3.60/ 4.40/<br>4.80/ 5.40/ 5.20/ 8.00/<br>7.60 N |

### Electrical Data

#### Receptacle-Plunger

|                               |            |
|-------------------------------|------------|
| Max. Current Rating           | 5.0 A      |
| Typical Continuity Resistance | <= 15 mOhm |

#### Pin-Plunger

|                               |            |
|-------------------------------|------------|
| Max. Current Rating           | 1.0 A      |
| Typical Continuity Resistance | <= 50 mOhm |

### Materials

|            |                           |
|------------|---------------------------|
| Barrel     | Brass, gold plated        |
| Spring     | Spring Steel, gold plated |
| Plunger    | Steel                     |
| Receptacle | Brass, gold plated        |

### Recommended Diameter of Drill

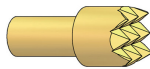
#### H 3011/GWR5 (/R /RK)

|                      |         |
|----------------------|---------|
| HP 2361.1 (Trolitax) | 3.02 mm |
| HGW 2372             | 3.04 mm |

#### H 3011/K (/5K)

|                      |         |
|----------------------|---------|
| HP 2361.1 (Trolitax) | 3.01 mm |
| HGW 2372             | 3.02 mm |

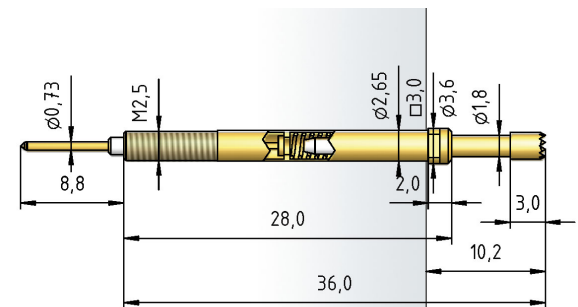
### Tip style - Diameter - Plating



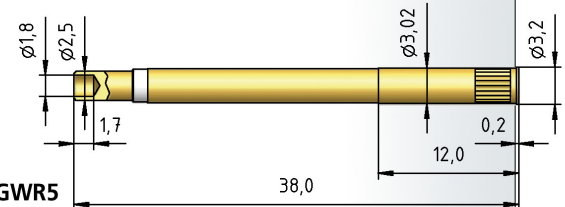
C

2.30 Au

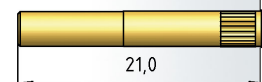
#### 3011/2FGS



#### H 3011/GWR5



#### H 3011/R



#### H 3011/K



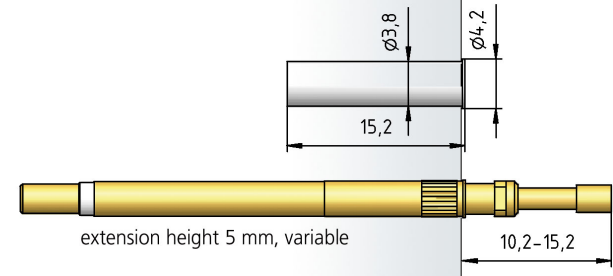
#### H 3011/RK



#### H 3011/5K



#### HI 3011



### How to Order

3011/ 2 F G S - C - 1.8 N - Au - 2.3

1 2 3 4 5 6 7 8 9

1. Series
2. Collar Height
3. Type Opener
4. Threaded Design
5. Plug-in Connector
6. Tip Style
7. Spring Force
8. Tip Plating
9. Tip Diameter