

Series 3010/2W

- Switching test probe for the cable harness test
- Plug-in and threaded type
- Switching travel 1.7 mm (4.0 mm on request)
- Soldering temperature max 300°C

Mechanical Data	
Center	4.00 mm/160 mil
Full Travel	5.00 mm
Working Travel	4.00 mm
Switching Travel	1.70 mm
Pre-loaded Spring Force	0.12/ 0.25/ 0.30/ 0.40/ 0.60/ 1.80/ 1.40/ 1.70/ 2.00/ 2.00/ 5.00/ 4.00 N
Spring Force at Working Travel	1.25/ 1.75/ 2.30/ 2.80/ 4.00/ 7.00/ 7.50/ 9.00/ 9.50/ 10.50/ 13.00/ 13.50 N
Spring Force at Switching Travel	0.20/ 0.45/ 0.75/ 1.00/ 1.60/ 3.60/ 3.60/ 4.40/ 4.80/ 5.20/ 8.00/ 7.60 N

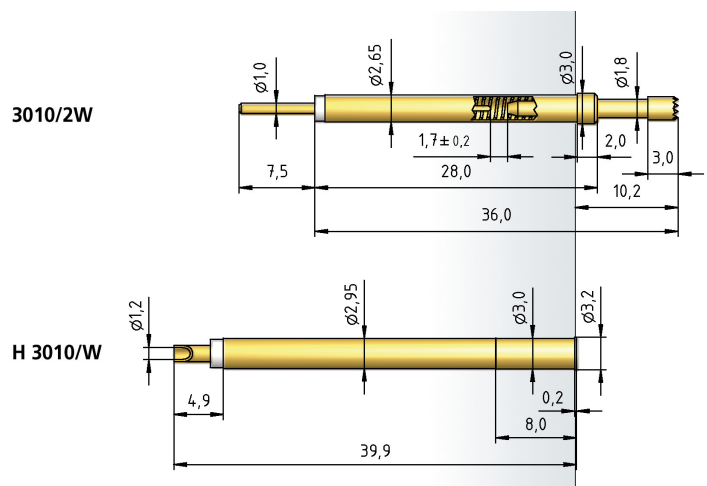
Electrical Data	
Receptacle-Plunger	
Max. Current Rating	5.0 A
Typical Continuity Resistance	<= 15 mOhm
Pin-Plunger	
Max. Current Rating	1.0 A
Typical Continuity Resistance	<= 50 mOhm
Typical Insulating Voltage	1000 V

Materials	
Barrel	Brass, gold plated
Spring	Spring Steel, gold plated
Plunger	Steel
Receptacle	Brass, gold plated

Recommended Diameter of Drill	
HP 2361.1 (Trolitax)	3.00 mm
HGW 2372	3.01 mm

Tip style - Diameter - Plating

A	C	C	CL	C1
2.30 Au	1.80 Au	2.30 Au 3.00 Au 4.00 Au	2.30 Au	1.00 Au
CL1	CL2	CL3	D6	F
1.00 Au	1.80 Au	1.00 Au	1.00 Au	1.80 Au
F	F1	FL3	H2	
2.00 Au 2.30 Au	2.30 HTK 3.00 HTK 4.00 HTK 5.00 HTK	1.00 Au	2.60 Au	



How to Order

3010/ 2 W - A - 2.3 N - Au - 2.3/ 1.0x 7.5

1 2 3 4 5 6 7 8 9

1. Series 2. Collar Height 3. Interchangeable without Soldering
 4. Tip Style 5. Spring Force 6. Tip Plating
 7. Tip Diameter 8. Connector Pin Diameter
 9. Connector Pin Length