

Series 1041 • 1041/W

- Stable design
- Contacting of assembled PCBs
- Universal applications

Mechanical Data

Center	4.50 mm/177 mil
Full Travel	5.50 mm
Working Travel	4.80 mm
Pre-loaded Spring Force	0.25/ 0.75/ 0.60 N
Spring Force at Working Travel	1.50/ 3.00/ 5.00 N

Electrical Data

Max. Current Rating	5.0...8.0 A
Typical Continuity Resistance	<= 30 mOhm

Materials

Barrel	Brass, gold plated
Spring	Spring Steel, gold plated
Plunger	Steel, gold plated
Receptacle	Brass, gold plated

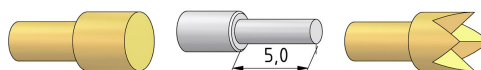
Recommended Diameter of Drill

HP 2361.1 (Trolitax)	3.50 mm
HGW 2372	3.52 mm

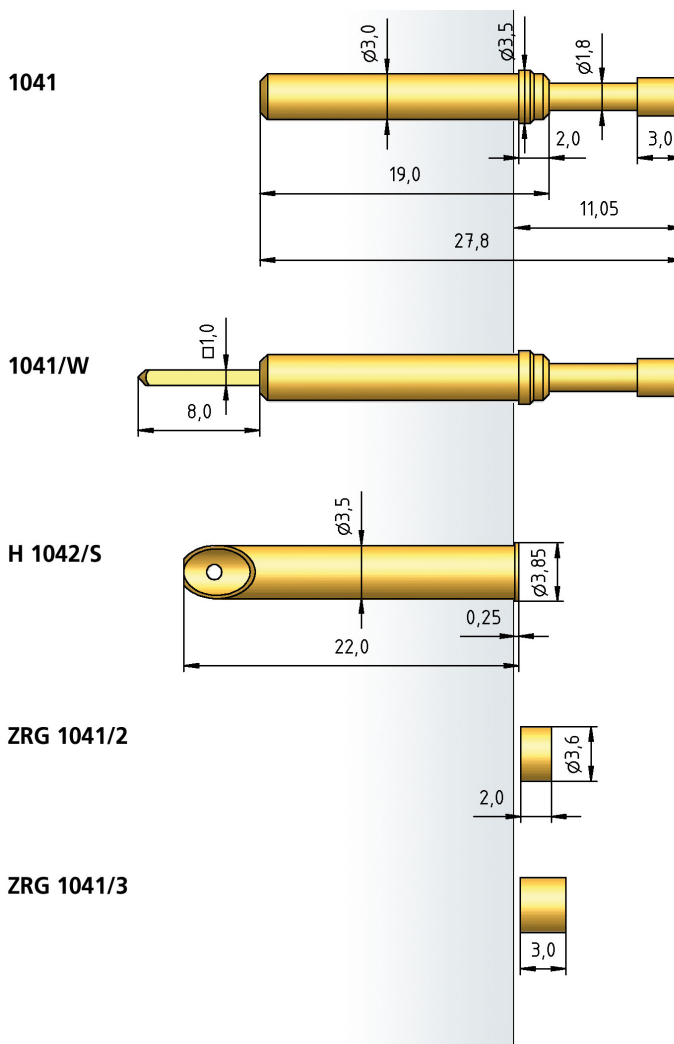
Tip style - Diameter - Plating



A	B	BA	C	D
2.50 Ni/Rh 4.00 Au	1.80 Ni/Rh	1.80 Au/Ni	2.30 Au/Ni/Rh 3.00 Au/Ni 4.00 Au/Ni/Rh	2.30 Au



F	F3	G
2.30 Au 4.00 Au	1.00 Rh	2.30 Rh 4.00 Au



How to Order

1041/ W - C - 1.5 N - Au - 4.0/ - MH5.5

1 2 3 4 5 6 7

1. Series 2. Wire-Wrap Connector 3. Tip Style
 4. Spring Force 5. Tip Plating 6. Tip Diameter
 7. Full Travel