

## Series 1036/E

- International standard for 100 mil applications
- Contacting of assembled PCBs
- Large selection of head styles
- Spring travel 12.0 mm

### Mechanical Data

Center	2.54 mm/100 mil
Full Travel	11.70 mm
Working Travel	9.30 mm
Pre-loaded Spring Force	0.30/ 0.40/ 0.50 N
Spring Force at Working Travel	1.50/ 2.00/ 3.00 N

### Electrical Data

Max. Current Rating	3.0 A
Typical Continuity Resistance	<= 25 mOhm

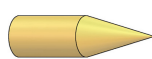
### Materials

Barrel	Bronze, gold plated
Spring	Spring Steel, gold plated
Plunger	Steel
Receptacle	Bronze, gold plated

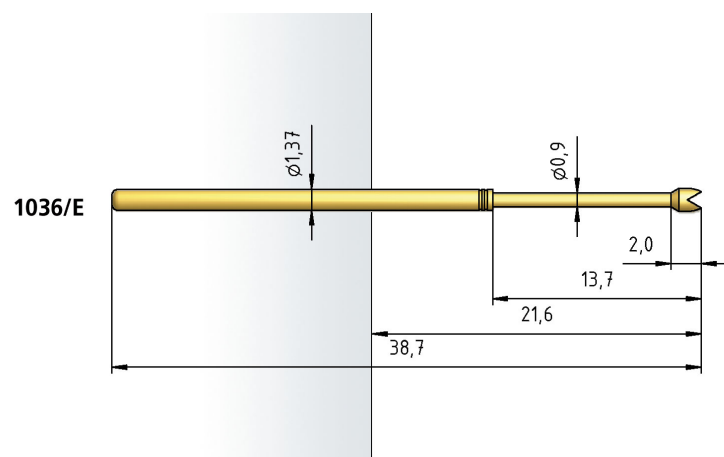
### Recommended Diameter of Drill

HP 2361.1 (Trolitax)	1.65 mm
with pressed-in Ring	1.75 mm
HGW 2372	1.67 mm
with pressed-in Ring	1.76 mm

### Tip style - Diameter - Plating



B	G	V
0.90 Au	1.50 Au	0.90 Au



### How to Order

1036/E - B - 2.25 N - Au - 0.9

1 2 3 4 5

1. Series 2. Tip Style 3. Spring Force  
4. Tip Plating 5. Tip Diameter

# Receptacles 1036/E

