

Series 1036

- International standard for 100 mil applications
- Contacting of assembled PCBs
- Large selection of head styles
- Spring travel 12.0 mm

Mechanical Data

Center	2.54 mm/100 mil
Full Travel	12.00 mm
Working Travel	10.00 mm
Pre-loaded Spring Force	0.30/ 0.40 N
Spring Force at Working Travel	1.50/ 2.25 N

Electrical Data

Max. Current Rating	3.0 A
Typical Continuity Resistance	<= 25 mOhm

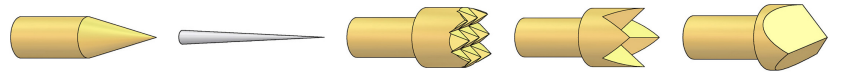
Materials

Barrel	Bronze, gold plated
Spring	Spring Steel, gold plated
Plunger	Steel
Receptacle	Bronze, gold plated

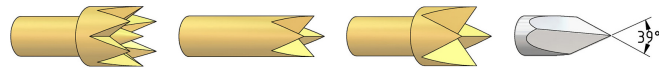
Recommended Diameter of Drill

HP 2361.1 (Trolitax)	1.65 mm
with pressed-in Ring	1.75 mm
HGW 2372	1.67 mm
with pressed-in Ring	1.76 mm

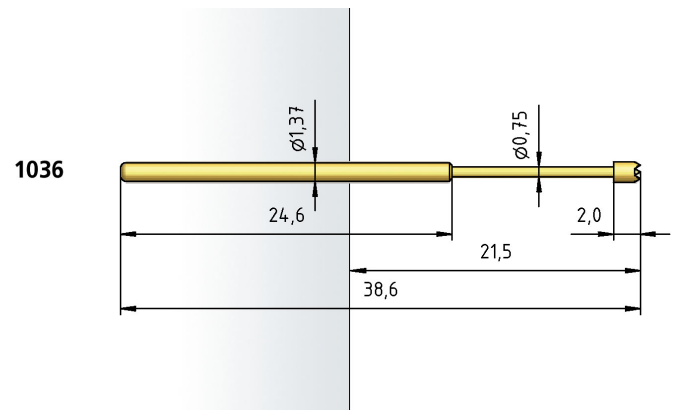
Tip style - Diameter - Plating



B	BST	C	G	H
0.75 Au/Ni	0.62 Ni	1.50 Au	1.50 Au	1.50 Au



M1	Q	Q	V
1.40 Au	1.00 Au 1.00 Rh	1.30 Au 1.50 Au	0.75 Ni



How to Order

1036 - C - 2.25 N - Au - 1.5

1 2 3 4 5

1. Series 2. Tip Style 3. Spring Force
4. Tip Plating 5. Tip Diameter

Receptacles 1036

