

Series 1010

- Universal field of application
- Compact design
- Short travel
- Contacting of assembled PCBs

Mechanical Data

Center	1.91 mm/75 mil
Full Travel	3.00 mm
Working Travel	2.40 mm
Pre-loaded Spring Force	0.20 N
Spring Force at Working Travel	0.80 N

Electrical Data

Max. Current Rating	2.0 A
Typical Continuity Resistance	<= 20 mOhm

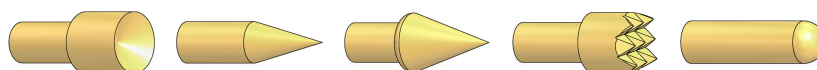
Materials

Barrel	Bronze, gold plated
Spring	Stainless Steel, gold plated
Plunger	Steel, CuBe
Receptacle	Bronze, gold plated

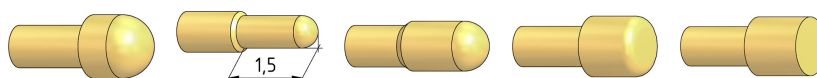
Recommended Diameter of Drill

HP 2361.1 (Trolitax)	1.30 mm
with pressed-in Ring	1.46 mm
HGW 2372	1.32 mm
with pressed-in Ring	1.47 mm

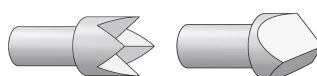
Tip style - Diameter - Plating



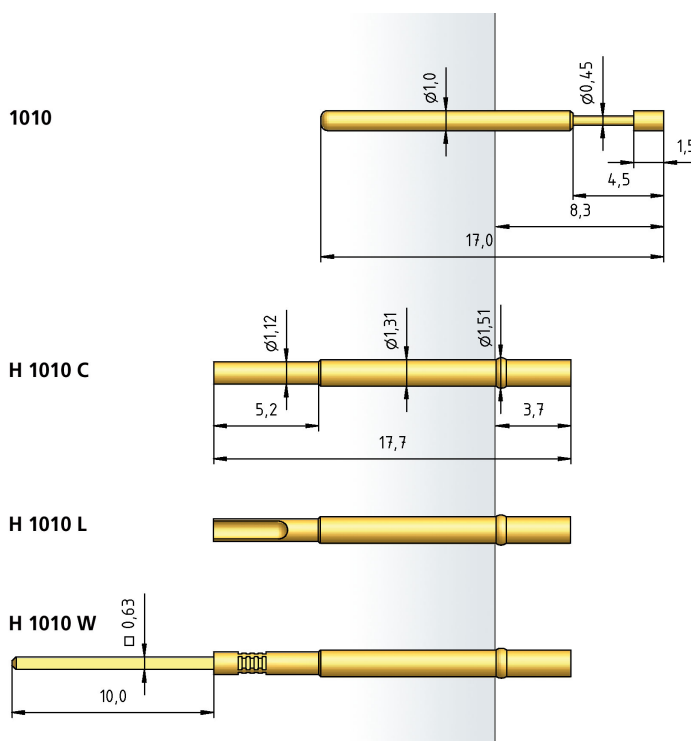
A	B	B1	C	D
1.50 Au	0.45 Au/Ni	0.70 Au	1.50C Au	0.50 Au



D	D2	D2	DF	F
0.65 Au 1.00 Au	0.40 Au	0.60 Au	1.00 Au	1.00 Au 1.50 Ni



G	H
1.50 Rh	1.50 Ni



How to Order

1010 - A - 0.8 N - Au - 1.5

1. Series 2. Tip Style 3. Spring Force
4. Tip Plating 5. Tip Diameter