

# Series 1002

- Test probe for 40 mil centers
- Short travel
- Low contact force
- Receptacle pre-wired

## Mechanical Data

Center	1.02 mm/40 mil
Full Travel	2.00 mm
Working Travel	1.35 mm
Pre-loaded Spring Force	0.25 N
Spring Force at Working Travel	0.40 N

## Electrical Data

Max. Current Rating	1.0 A
Typical Continuity Resistance	<= 100 mOhm

## Materials

Barrel	Bronze, gold plated
Spring	Spring Steel, gold plated
Plunger	Steel, rhodium plated
Receptacle	Bronze, gold plated
Wire AWG 32 (Blue)	Copper, silver plated, insulated

## Recommended Diameter of Drill

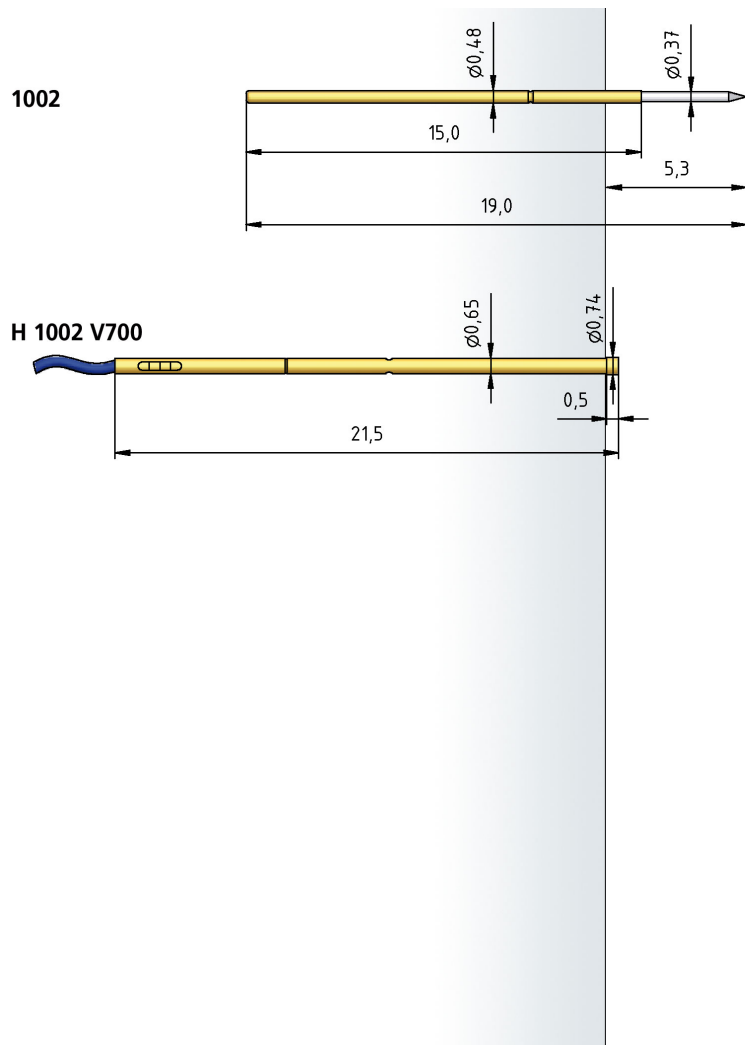
HP 2361.1 (Trolitax)	0.63 mm
----------------------	---------

## Tip style - Diameter - Plating



B

0.37 Rh



## How to Order

1002 - B - 0.4 N - Rh - 0.37

1 2 3 4 5

1. Series 2. Tip Style 3. Spring Force  
4. Tip Plating 5. Tip Diameter